



exocad

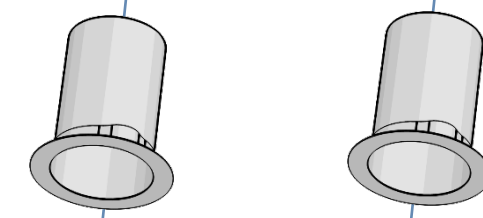
### LASAK BioniQ QR Exocad library structure

Scanbody QR, indexed – solo  
Ref. No. 2881.00



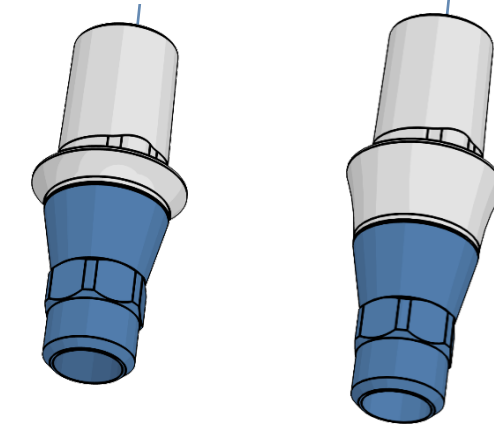
Dummy base shown  
in the Exocad library

bioniq\_qr\_interface      bioniq\_qr\_L2.0\_interface



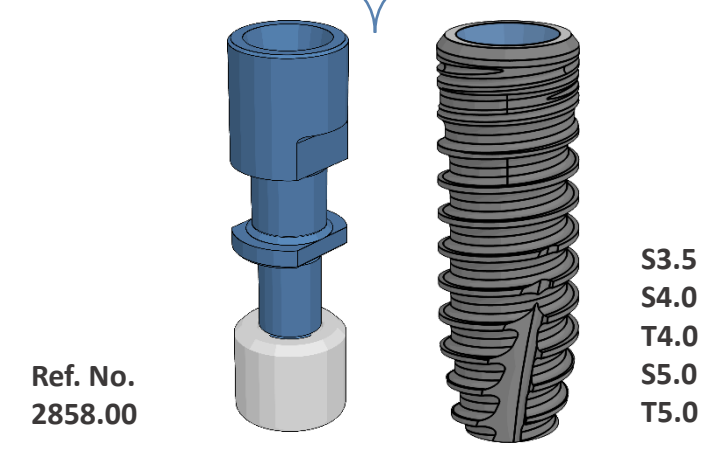
+ FITS to      + FITS to

BioniQ QR Ti base  
L0.8      BioniQ QR Ti base  
L2.0



Ref. No. 2159.00      Ref. No. 2159.20

The real base of the  
BioniQ component



Ref. No. 2858.00

- S3.5
- S4.0
- T4.0
- S5.0
- T5.0



exocad

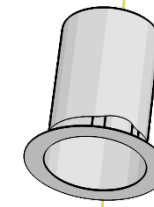
### LASAK BioniQ QN Exocad library structure

Scanbody QN, indexed – solo  
Ref. No. 2882.00

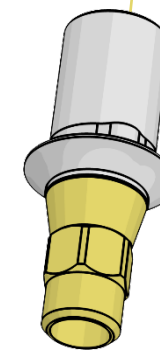


Dummy base shown  
in the Exocad library

bioniq\_qn\_interface

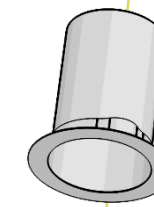


BioniQ QN Ti base  
L0.8

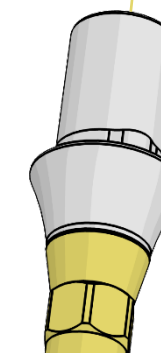


Ref. No.  
2181.00

bioniq\_qn\_L2.0\_interface



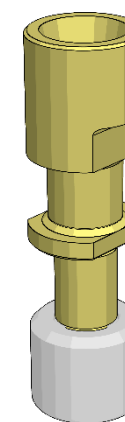
BioniQ QN Ti base  
L2.0



Ref. No.  
2181.20

The real base of the  
BioniQ component

Ref. No.  
2859.00



S2.9

